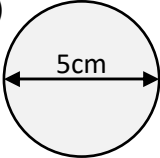
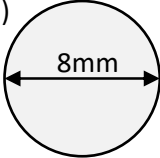
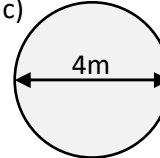
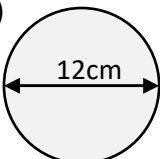
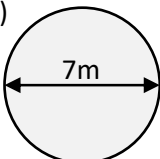
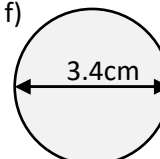




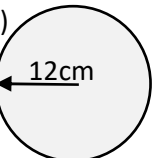
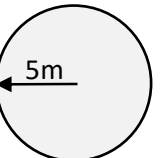
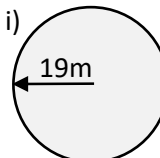
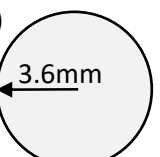
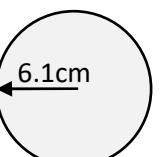
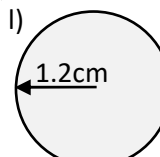
Name: \_\_\_\_\_



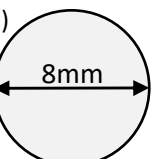
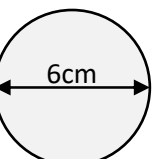
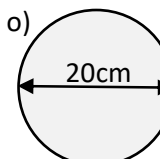
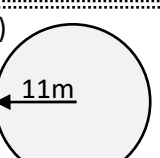
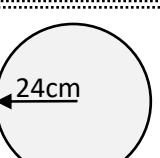
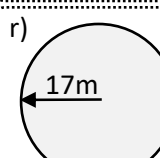
Calculate the circumference of these circles (leave your answer correct to 2 decimal places):

a)  <b>15.71cm</b>	b)  <b>25.13mm</b>	c)  <b>12.56m</b>
d)  <b>37.70cm</b>	e)  <b>21.99m</b>	f)  <b>10.68cm</b>

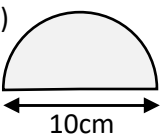
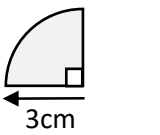
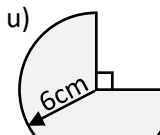
Calculate the circumference of the these circles (leave your answer correct to 2 decimal places):

g)  <b>75.40cm</b>	h)  <b>31.42m</b>	i)  <b>119.38m</b>
j)  <b>22.62mm</b>	k)  <b>38.33cm</b>	l)  <b>7.54cm</b>

Calculate the circumference of the these circles **in terms of  $\pi$**  :

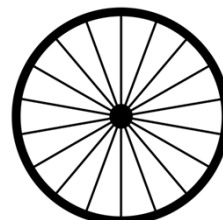
m)  <b><math>8\pi</math> mm</b>	n)  <b><math>6\pi</math> cm</b>	o)  <b><math>20\pi</math> cm</b>
p)  <b><math>22\pi</math> m</b>	q)  <b><math>48\pi</math> cm</b>	r)  <b><math>34\pi</math> m</b>

Calculate the **perimeter** of the these partial circles (to 2 decimal places):

s)  <b>25.71cm</b>	t)  <b>10.71cm</b>	u)  <b>40.27cm</b>
---	---	---

**Exam question:**

The diameter of a bike's wheel 0.6m.  
Calculate the circumference of the wheel.  
Give your answer correct to 2 decimal places.

**1.88m**