

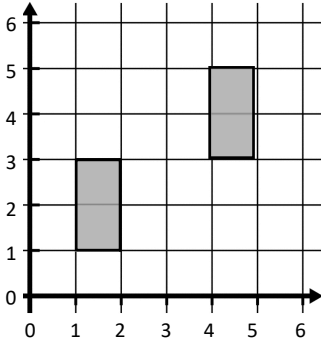
Enlargement from a point (negative scale factor)



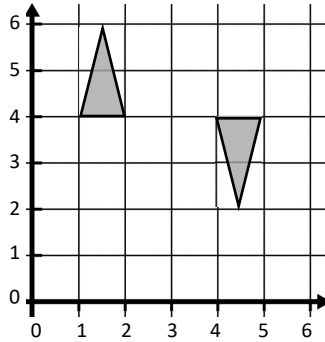
Name: _____



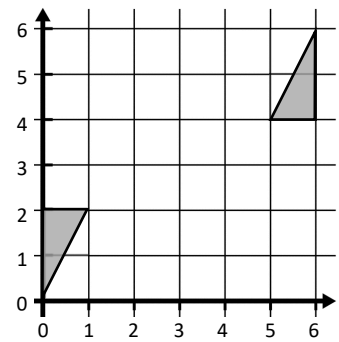
a) Enlarge the shape by a scale factor of -1 from the point $(3,3)$



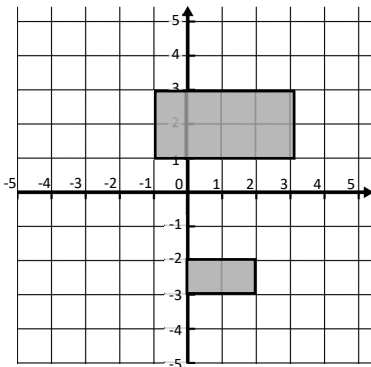
b) Enlarge the shape by a scale factor of -1 from the point $(3,4)$



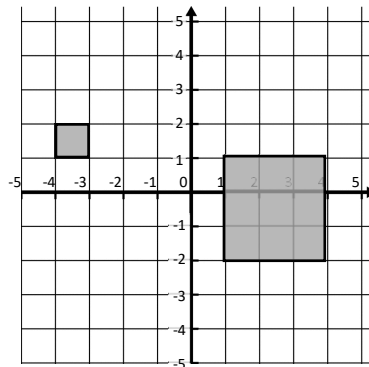
c) Enlarge the shape by a scale factor of -1 from the point $(3,3)$



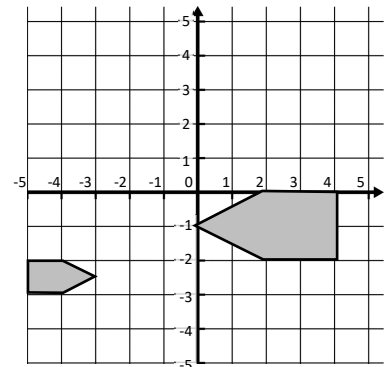
d) Enlarge the shape by a scale factor of -2 from the point $(1,-1)$



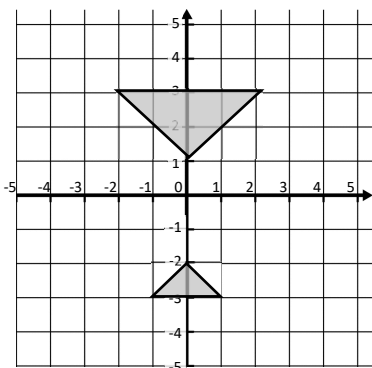
e) Enlarge the shape by a scale factor of -3 from the point $(-2,1)$



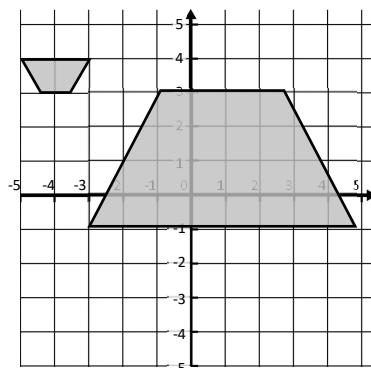
f) Enlarge the shape by a scale factor of -2 from the point $(-2,-2)$



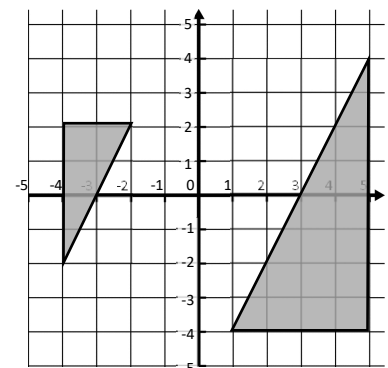
g) Enlarge the shape by a scale factor of -2 from the point $(0,-1)$



h) Enlarge the shape by a scale factor of -4 from the point $(-3,3)$



i) Enlarge the shape by a scale factor of $-\frac{1}{2}$, from the point $(-1,0)$



Exam question:

Enlarge the shape by a scale factor of -2 from the point $(2,0)$

