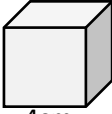
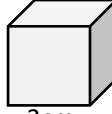
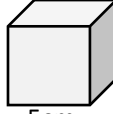
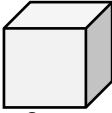
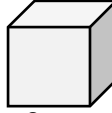
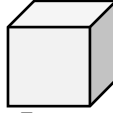
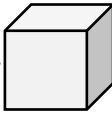
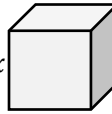
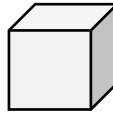




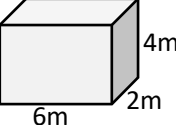
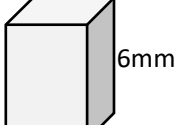
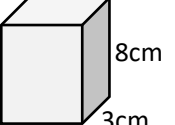
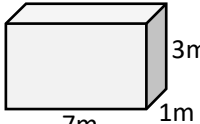
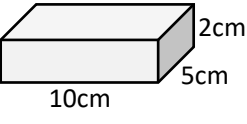
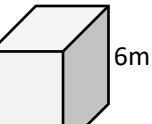
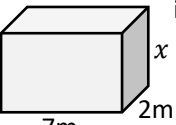
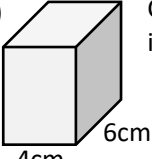
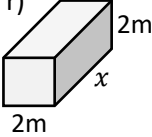
Name: _____



Calculate the surface area of these **cubes**. State the units of your answer.

<p>a)  96cm²</p>	<p>b)  54cm²</p>	<p>c)  150cm²</p>
<p>d)  216m²</p>	<p>e)  384mm²</p>	<p>f)  294cm²</p>
<p>g)  Calculate the value of x if the S.A is 1000cm³ 12.9cm</p>	<p>h)  Calculate the value of x if the S.A is 8m³ 1.15m</p>	<p>i)  Calculate the value of x if the S.A is 125cm³ 4.56cm</p>

Calculate the surface area of these cuboids:

<p>j)  88m²</p>	<p>k)  88mm²</p>	<p>l)  158cm²</p>
<p>m)  62m²</p>	<p>n)  160cm²</p>	<p>o)  98m²</p>
<p>p)  Calculate the value of x if the S.A is 56m³ 1.56m</p>	<p>q)  Calculate the value of x if the S.A is 168cm³ 6cm</p>	<p>r)  Calculate the value of x if the S.A is 48m³ 5m</p>

Exam question:

A cuboid has a width of 2cm. It's height and depth are the same length. It has a volume of 72cm³. Work out the surface area of the cuboid

216cm²

